



TangerineSDR

Data Engine Description and Hardware Status

Scotty Cowling, WA2DFI

TAPR/ARRL Digital Communications Conference

September 11, 2020



TangerineSDR



We gratefully acknowledge support of this project from NSF Grants AGS-2002278, AGS-1932997, and AGS-1932972.

TAPR would also like to acknowledge the generous ARDC grant in support of the prototype build.



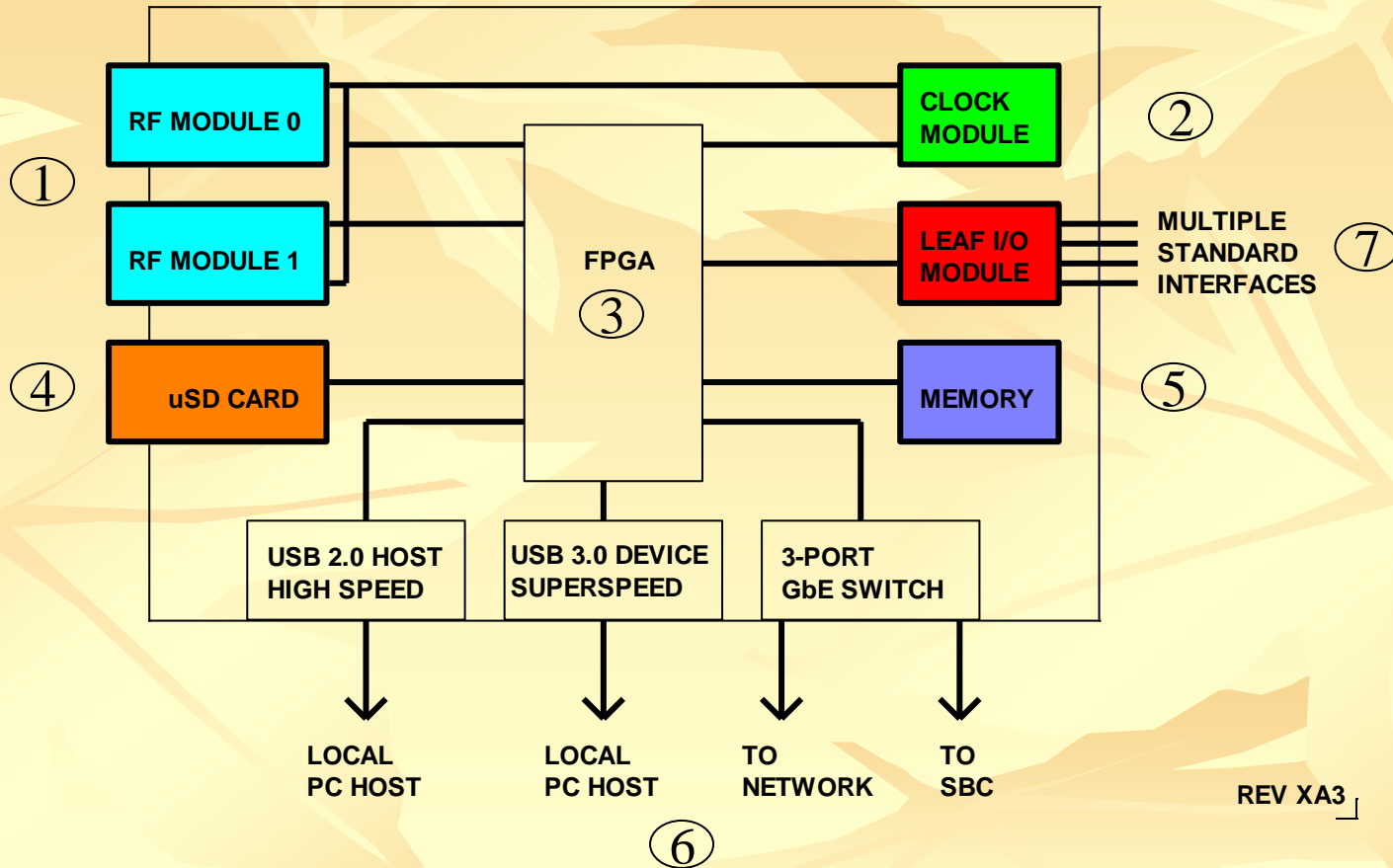
AMATEUR RADIO DIGITAL COMMUNICATIONS



TangerineSDR Data Engine

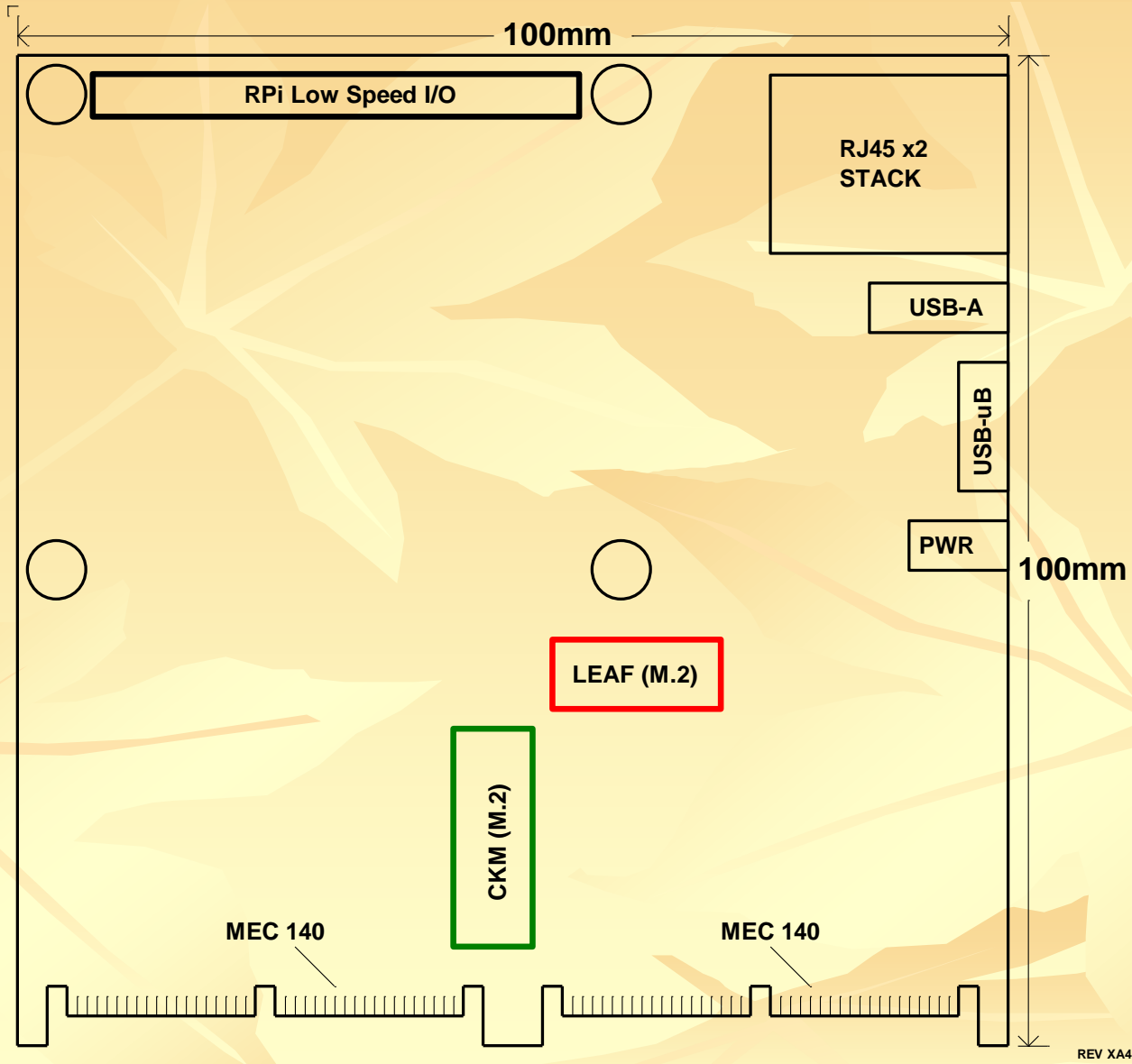


TangerineSDR DATA ENGINE



REV XA3





DATA ENGINE
100mm x 100mm

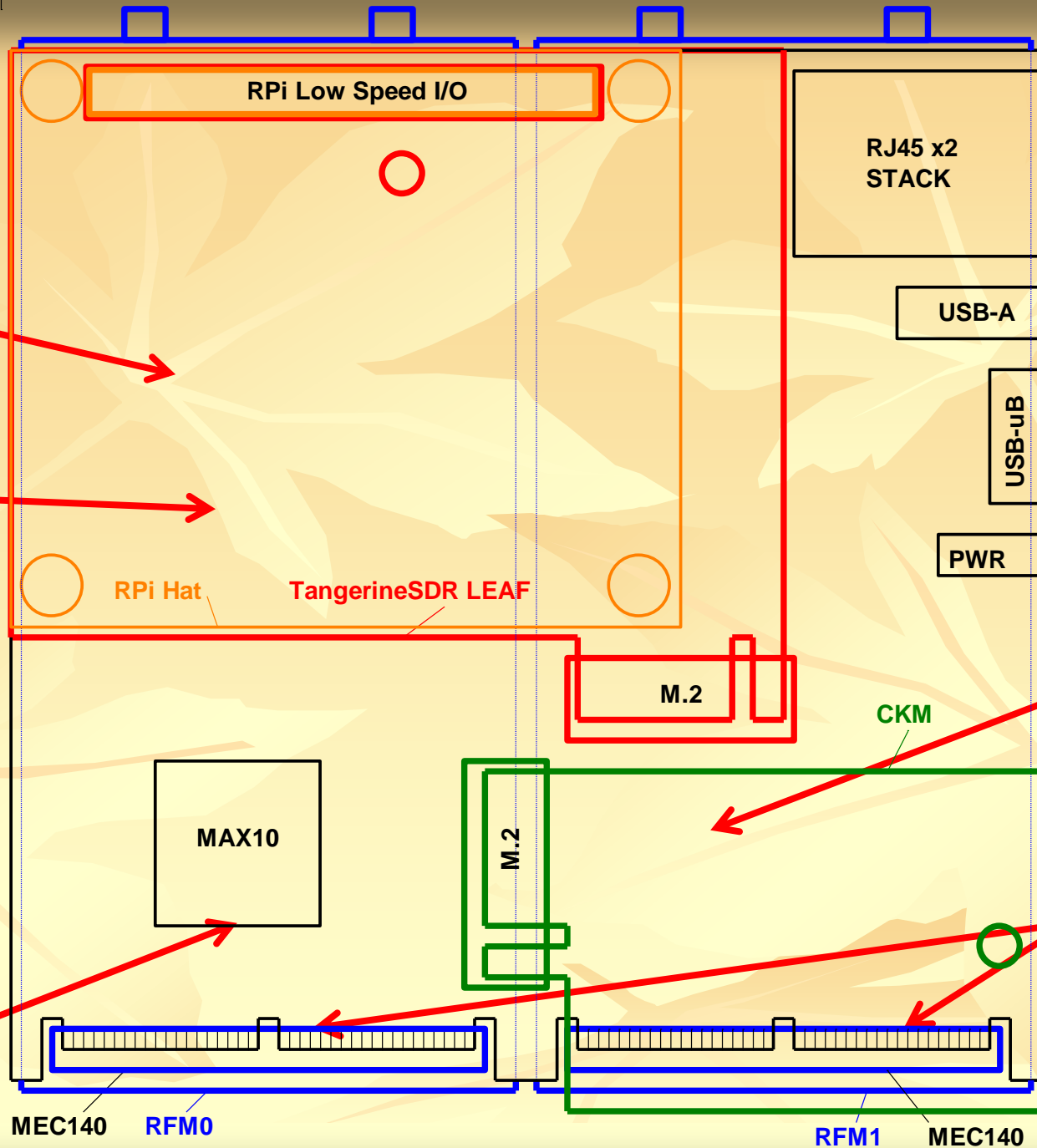




LEAF/HAT

SBC
(Below DE)

Data Engine



CKM

CKM

RFMs
Below





TangerineSDR



When Can I Get One?

- ❑ RXM-5001D Dual Channel 100kHz-54MHz Receiver
 - ❑ December 2020
- ❑ ZED-F9T GPSDO Clock Module (CKM)
 - ❑ Est Feb 2021
- ❑ MAX10 Data Engine
 - ❑ January 2021
- ❑ Magnetometer RPi Hat
 - ❑ October 2020





Thank you!



WA2DFI@ARRL.NET

Our Web Page: **TangerineSDR.com**

Listserv subscribe: **TangerineSDR@lists.tapr.org**

Listserv Post: **lists.tapr.org/mailman/listinfo**

