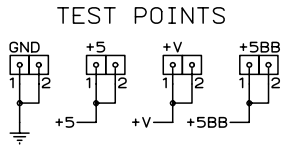


OPTIONAL

POWER PINOUTS

REFD	COMP	GND	+5	+5BB	+V	CAP
IC1	74HC14	7		14		C4
IC2	74HC14	7	14			C5
IC3	74HC14	7	14			C6
IC4	74HC151	8	16			C7
IC5	MAX232	15	16			C8
IC6	MAX232	15	16			C9
IC7	75176	5	8			C10
IC8	LM358	4			8	C11
IC9						
IC10						

LAST USED: UNUSED:



PORT BLOCK
ADJUSTED PINOUT

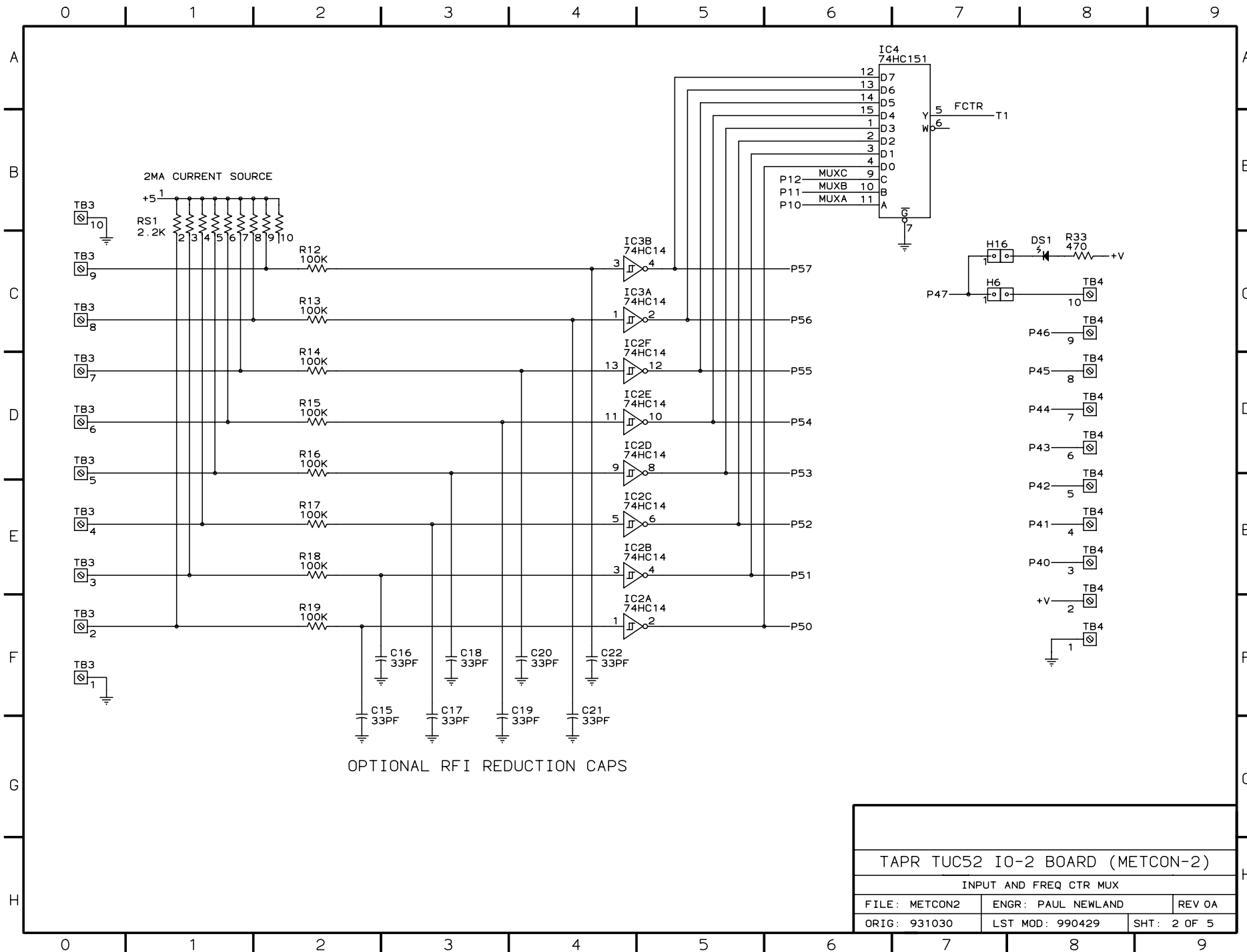
P11	1	2	P10
P13	2	3	P12
P15	3	4	P14
P17	4	5	P16
GND	5	6	GND
P41	6	7	P40
P43	7	8	P42
P45	8	9	P44
P47	9	10	P46
P51	10	11	P50
P53	11	12	P52
P55	12	13	P54
P57	13	14	P56
P61	14	15	P60
P63	15	16	P62
P65	16	17	P64
P67	17	18	P66
+5	18	19	+5
TXD	19	20	RXD2
INT0*	20	21	T0
INT1*	21	22	T1
CKI*	22	23	+5BB
RST	23	24	RST*
GND	24	25	GND
	25	26	
	26	27	
	27	28	
	28	29	
	29	30	
	30	31	
	31	32	
	32	33	
	33	34	
	34	35	
	35	36	
	36	37	
	37	38	
	38	39	
	39	40	
	40	41	
	41	42	
	42	43	
	43	44	
	44	45	
	45	46	
	46	47	
	47	48	
	48	49	
	49	50	

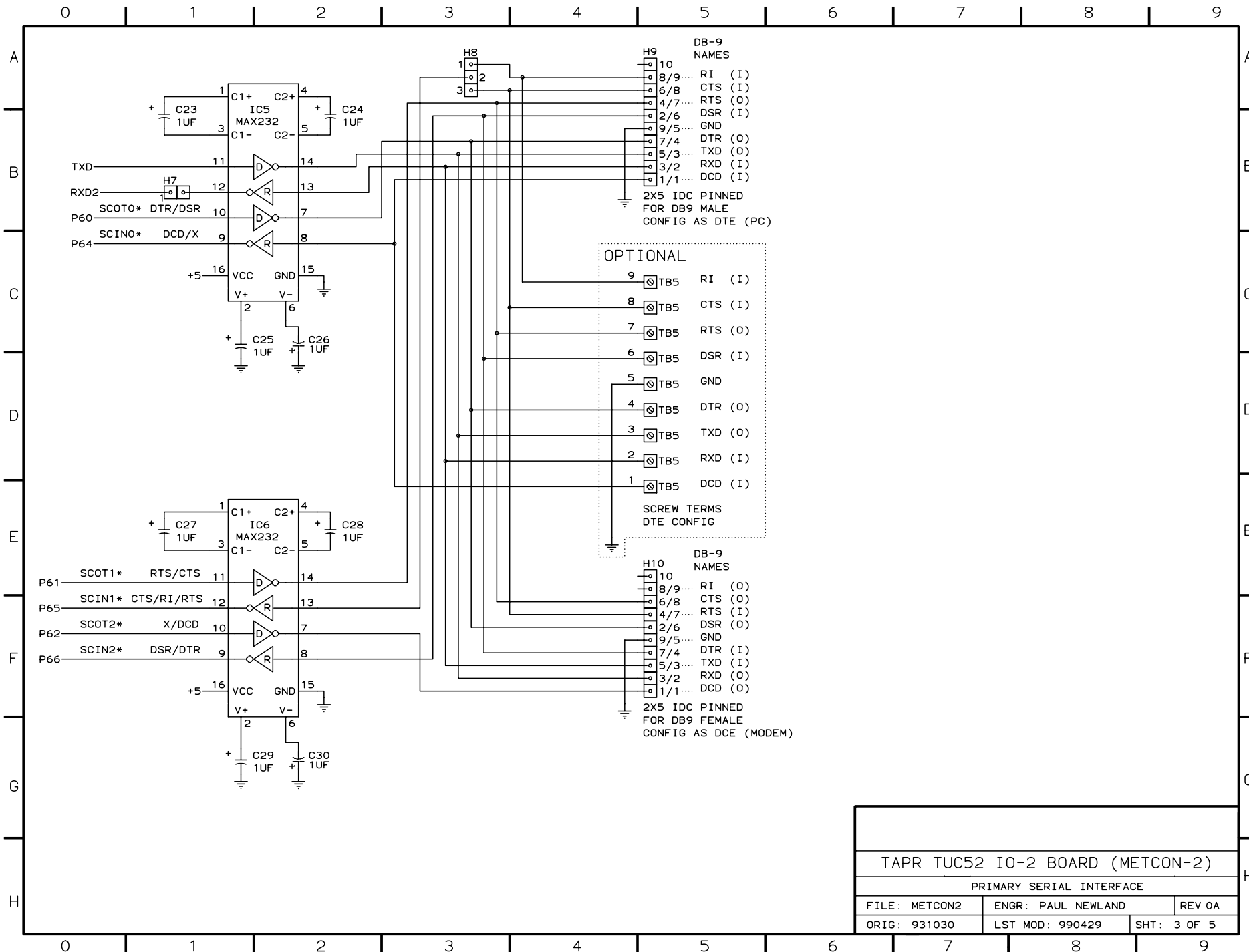
copyright 1990-2005 TAPR

TAPR TUC52 IO-2 BOARD (METCON-2)

POWER AND INTER-BOARD I/O

FILE: METCON2	ENGR: PAUL NEWLAND	REV OA
ORIG: 931030	LST MOD: 990429	SHT: 1 OF 5





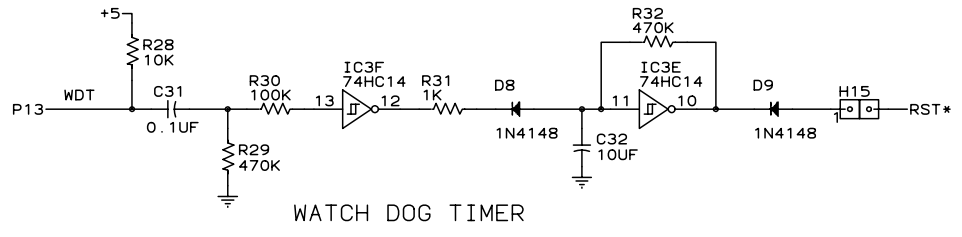
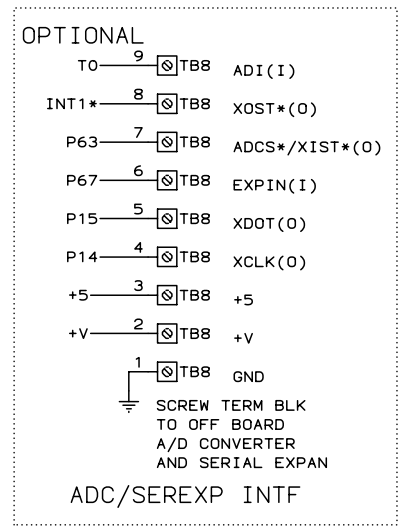
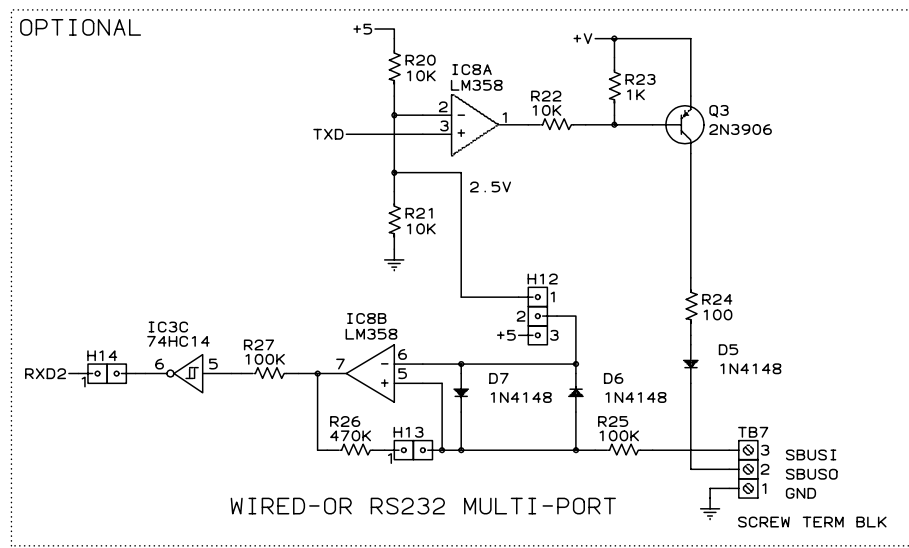
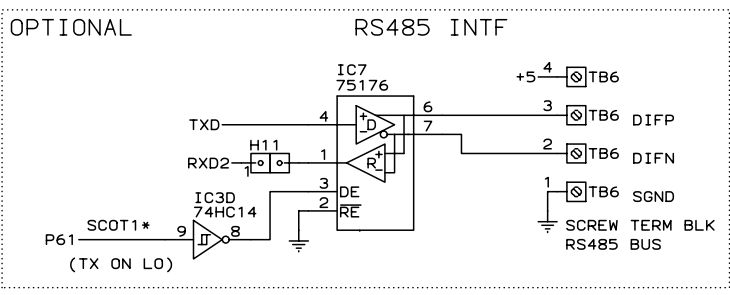
TAPR TUC52 IO-2 BOARD (METCON-2)

PRIMARY SERIAL INTERFACE

FILE: METCON2	ENGR: PAUL NEWLAND	REV 0A
ORIG: 931030	LST MOD: 990429	SHT: 3 OF 5

0 1 2 3 4 5 6 7 8 9

A
B
C
D
E
F
G
H



TAPR TUC52 IO-2 BOARD (METCON-2)		
SECONDARY SERIAL INTERFACES		
FILE: METCON2	ENGR: PAUL NEWLAND	REV OA
ORIG: 931030	LST MOD: 990429	SHT: 4 OF 5

0 1 2 3 4 5 6 7 8 9

0 1 2 3 4 5 6 7 8 9

I/O ASSIGNMENT TABLES AS VIEWED FROM TUC52

PORT	FUNCTION
RXD2	SER RXD(I)
TXD	SER TXD(O)
INT0*	RTC (X)
INT1*	XOST* (O)
T0	ADI(I)
T1	FCTR(I)
RD*	---
WR*	---

PORT	FUNCTION
P60	SCOT0*(O)
P61	SCOT1*(O)
P62	SCOT2*(O)
P63	ADCS*/XIST*(O)
P64	SCIN0*(I)
P65	SCIN1*(I)
P66	SCIN2*(I)
P67	EXPIN(I)

PORT	FUNCTION
P10	MUXA(O)
P11	MUXB(O)
P12	MUXC(O)
P13	WDT(O)
P14	XCLK(O)
P15	XDOT/SYSOFF(O)
P16	I2C SCL(X)
P17	I2C SDA(X)

PORT	FUNCTION
P70	
P71	
P72	
P73	
P74	
P75	
P76	
P77	

PORT	FUNCTION
P40	PARALLEL OUTS
P41	PARALLEL OUTS
P42	PARALLEL OUTS
P43	PARALLEL OUTS
P44	PARALLEL OUTS
P45	PARALLEL OUTS
P46	PARALLEL OUTS
P47	PARALLEL OUTS

PORT	FUNCTION
P80	
P81	
P82	
P83	
P84	
P85	
P86	
P87	

PORT	FUNCTION
P50	PARALLEL INS
P51	PARALLEL INS
P52	PARALLEL INS
P53	PARALLEL INS
P54	PARALLEL INS
P55	PARALLEL INS
P56	PARALLEL INS
P57	PARALLEL INS

PORT	FUNCTION
P90	
P91	
P92	
P93	
P94	
P95	
P96	
P97	

TAPR TUC52 IO-2 BOARD (METCON-2)		
ASSIGNMENT TABLES		
FILE: METCON2	ENGR: PAUL NEWLAND	REV 0A
ORIG: 931030	LST MOD: 990429	SHT: 5 OF 5

0 1 2 3 4 5 6 7 8 9